

Inbouwcontactdoos TwinCONTACT

Bestelnr. 1795

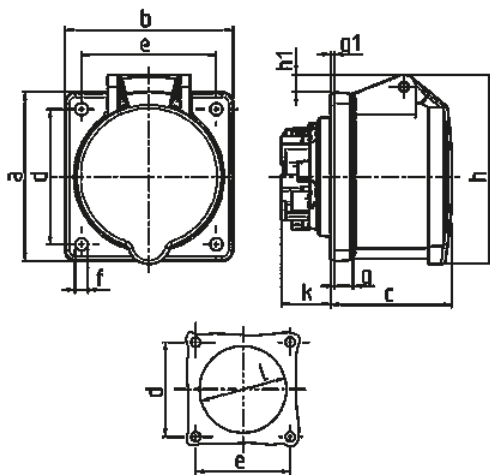


- schroefloos met insteekklemmen
- geschikt voor doorlussen
- rechte uitvoering

Technische informatie

| | |
|-------------------|-------------------------------|
| Ampère | 32 A |
| Polen | 5 p |
| Voltage | 110 V |
| Uurstand | 4 h |
| Hertz | 50-60 Hz |
| Aansluittechniek | zonder schroeven, TwinCONTACT |
| Contacten | standaard |
| Beschermingsgraad | IP 44 |
| Flens | 75x75 mm |
| Bevestigingsgaten | 60x60 mm |
| Gewicht | 210 g |
| Certificeringen | EAC, CQC |

Tekeningen



| Tekening | Amp. | 16 | | | 32 | | |
|-------------------------------|--------------|-----|-----|-----|-----|-----|-----|
| | | 3 | 4 | 5 | 3 | 4 | 5 |
| 1 MB 464 | Polen | | | | | | |
| Maten in mm | a | 75 | 75 | 75 | 75 | 75 | 75 |
| | b | 75 | 75 | 75 | 75 | 75 | 75 |
| | c | 53 | 53 | 54 | 64 | 64 | 64 |
| | d | 60 | 60 | 60 | 60 | 60 | 60 |
| | e | 60 | 60 | 60 | 60 | 60 | 60 |
| | f | 5,5 | 5,5 | 5,5 | 5,5 | 5,5 | 5,5 |
| | g. | 8 | 8 | 8 | 8 | 8 | 8 |
| | g.1 | 2 | 2 | 2 | 2 | 2 | 2 |
| | h | 75 | 80 | 85 | 89 | 89 | 95 |
| | h1 | | 5 | 8 | 10 | 10 | 12 |
| | k | 22 | 22 | 22 | 28 | 28 | 28 |
| | l | 43 | 52 | 57 | 60 | 60 | 64 |
| Kabelaansluiting | | 1,5 | 1,5 | 1,5 | 2,5 | 2,5 | 2,5 |
| van/tot mm² | | —4 | —4 | —4 | —6 | —6 | —6 |