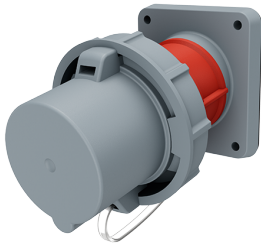


Toestelcontactstop

Bestelnr. 1259

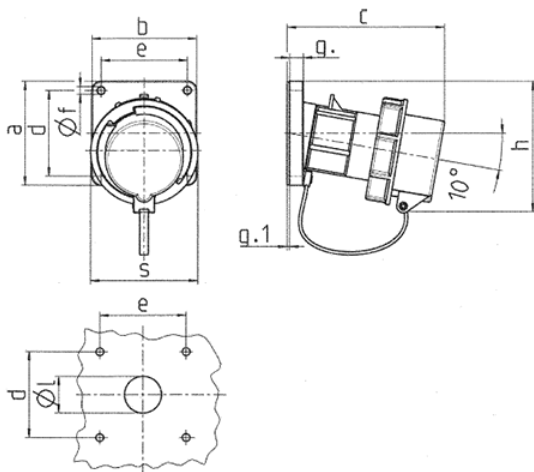


- schroefklemmen
- met afschermkap

Technische informatie

| | |
|-------------------|----------------|
| Ampère | 63 A |
| Polen | 5 p |
| Voltage | 400 V |
| Uurstand | 6 h |
| Hertz | 60-50 Hz |
| Aansluittechniek | schroefklemmen |
| Contacten | standaard |
| Beschermingsgraad | IP67 |
| Gewicht | 705 g |
| Certificeringen | EAC, VDE |

Tekeningen



| Tekening | Amp. | 16 | | 32 | | | 63 | | |
|-------------------------------|--------------|------|------|-----|-----|-----|-----|-----|-----|
| | | 3 | 5 | 3 | 4 | 5 | 3 | 4 | 5 |
| 2 MB 62 | Polen | | | | | | | | |
| Maten in mm | a | 85 | 85 | 85 | 85 | 85 | 108 | 108 | 108 |
| | b | 85 | 85 | 85 | 85 | 85 | 101 | 101 | 101 |
| | c | 132 | 132 | 131 | 131 | 137 | 164 | 164 | 164 |
| | d | 70 | 70 | 70 | 70 | 70 | 85 | 85 | 85 |
| | e | 70 | 70 | 70 | 70 | 70 | 77 | 77 | 77 |
| | f | 6,3 | 6,3 | 6,3 | 6,3 | 6,3 | 6,5 | 6,5 | 6,5 |
| | g | 11 | 11 | 11 | 11 | 11 | 12 | 12 | 12 |
| | g.1 | 2 | 2 | 2 | 2 | 2 | 2 | 2 | 2 |
| | h | 100 | 107 | 108 | 108 | 111 | 130 | 130 | 130 |
| | s | 70 | 87 | 94 | 94 | 102 | 114 | 114 | 114 |
| | l | 30 | 30 | 30 | 30 | 30 | 40 | 40 | 40 |
| Kabelaansluiting | | 1 | 1 | 2,5 | 2,5 | 2,5 | 6 | 6 | 6 |
| van/tot mm² | | —2,5 | —2,5 | —6 | —6 | —6 | —16 | —16 | —16 |